

ADJUSTMENT GUIDE Top hung folding door system

centor.com

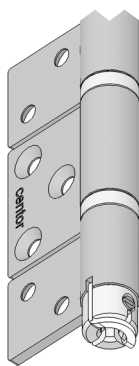
centor®

Centor folding door hardware system allows door panels to be adjusted vertically and laterally. Over time the panels settle and the building moves so it may be necessary to adjust the hinges for optimum operation.

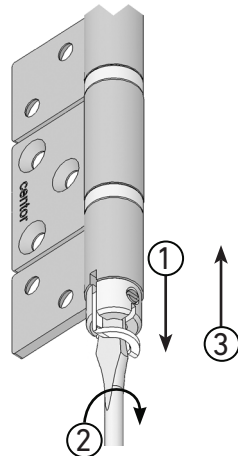
Vertical Adjustment

Note: For ease of adjustment, place newspapers on the sill, close the door and use a lever to lift the weight off the hinge. After adjustment open the door and remove the newspaper. Check and repeat if necessary.

Surelock3

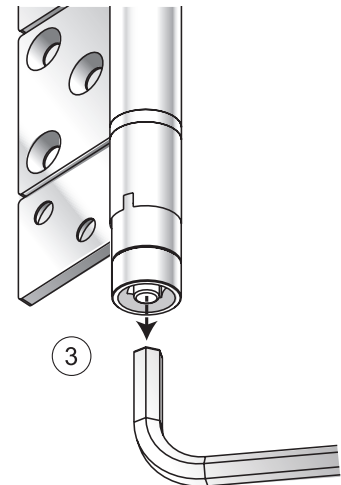
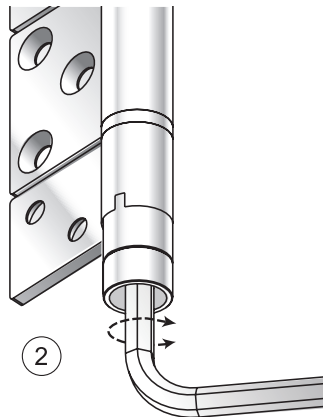
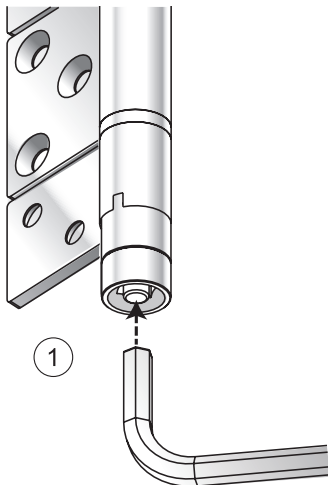


Tab in locked position



1. Use a small screw driver. Pull the lock tab down and hold open.
2. Fit a large flat blade screw driver in the slots and rotate clockwise to lift (or anticlockwise to lower). Align the lock tab with any slot.
3. Release the lock tab into the slot until flush.

Surelock5



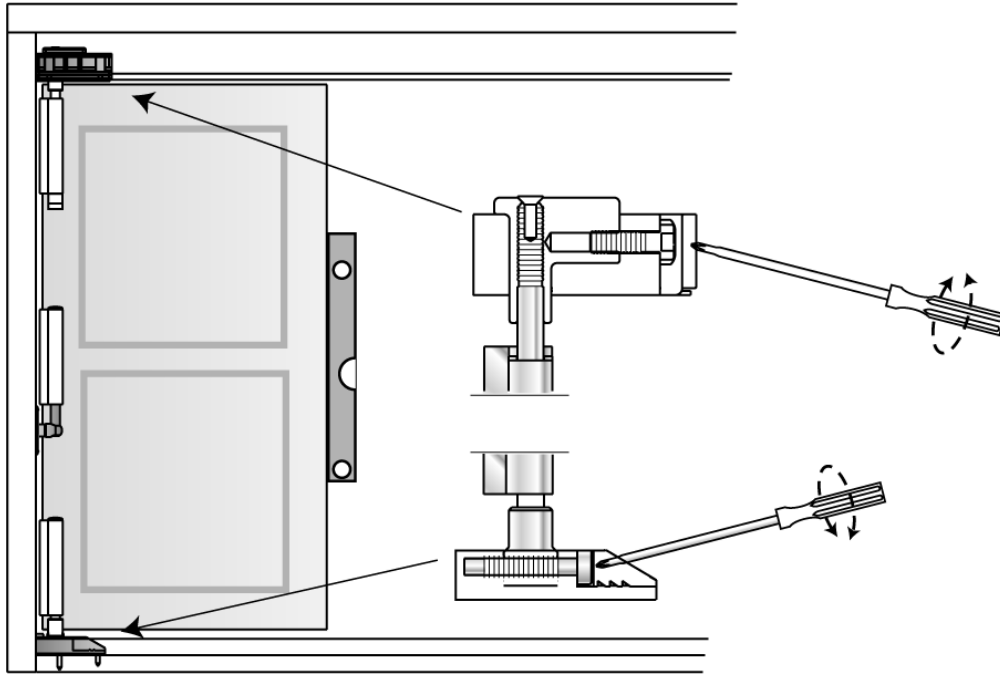
1. Insert an 5/16" Allen key into the bottom of the hinge pin pushing upward to release the spring loaded lock pin.

2. Maintaining the upward force rotate clockwise to lift (or anticlockwise to lower).

3. Remove the Allen key so the lock pin returns flush with the bottom of the hinge pin. Rotate slightly if the lock does not reset.

Lateral Adjustment

Note: For ease of adjustment, open the door about 70% for better access to the adjustment screws.
Adjustment is provided on both the top and bottom pivot.
The central pivot will self align with the pivot adjustment.



Use a long shaft (PH2) phillips head screw driver.
Turning the screw clockwise moves the door further from the jamb (or anti-clockwise to move the panel closer to the jamb).