

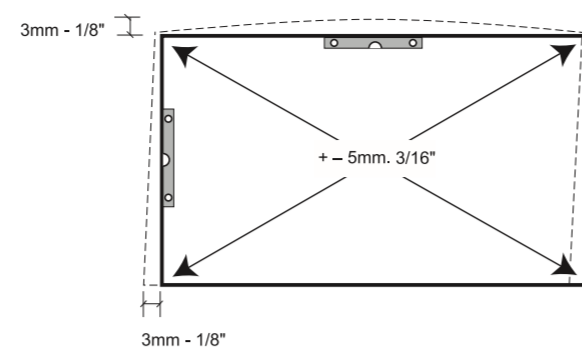
Centor Australia Pty Ltd  
1300 CENTOR  
mail@centor.com.au  
www.centor.com.au

Centor Europe Ltd  
+44 (0)121 782 2400  
mail@centor.eu  
www.centor.eu

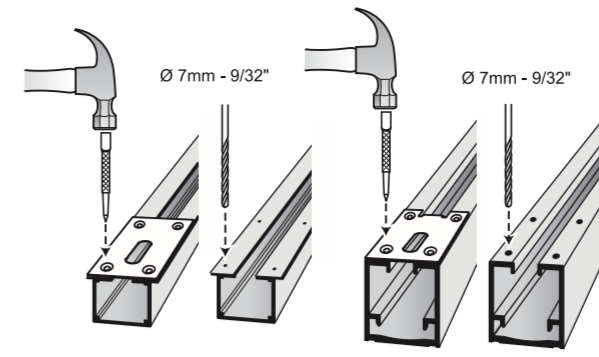
Centor North America Inc.  
Tel: 866-255-0208  
mail@centorarchitectural.com  
www.centorarchitectural.com



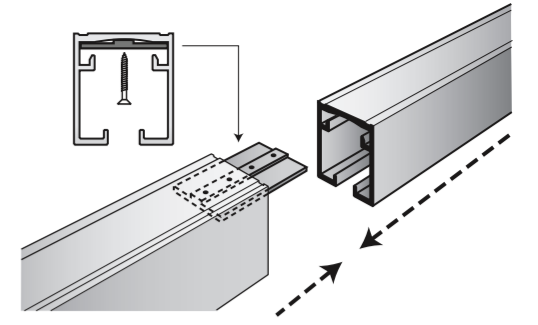
1. INSTALL FRAME



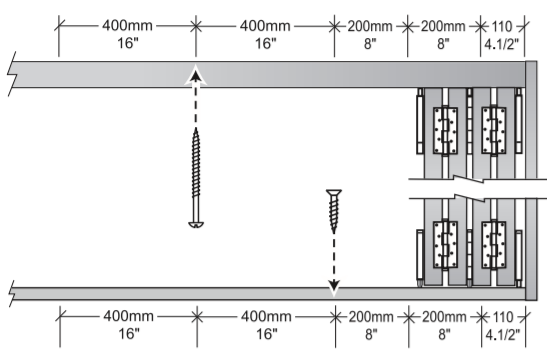
2. BI-PARTING SETS ONLY



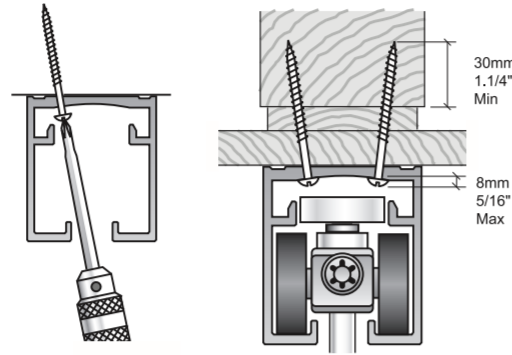
3. TRACK JOINING



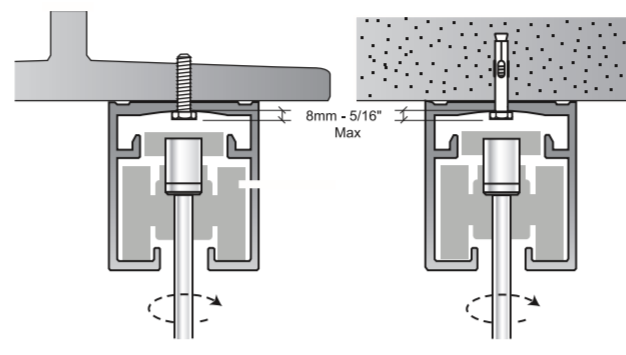
4. MAXIMUM TRACK FIXING CENTRES



5. TRACK FIXING & CARRIER CLEARANCE



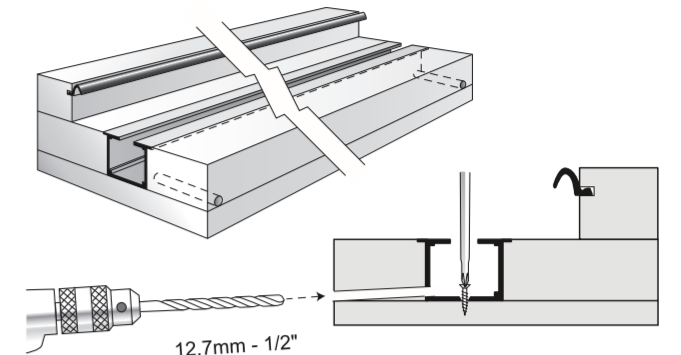
6. ALTERNATIVE TRACK FIXING



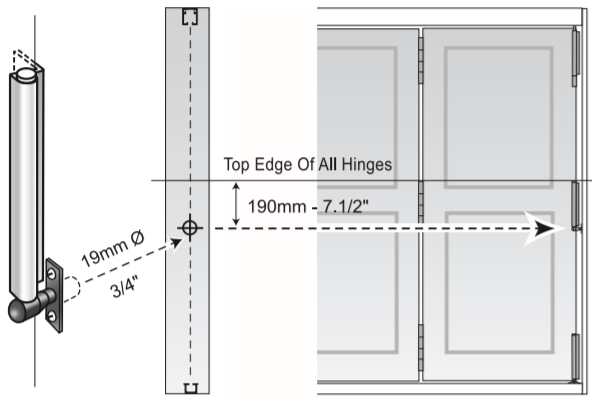
7. ALIGNMENT



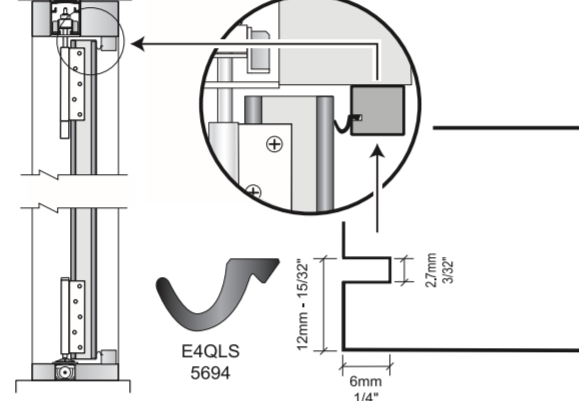
8. CHANNEL FIXING - DRAINAGE



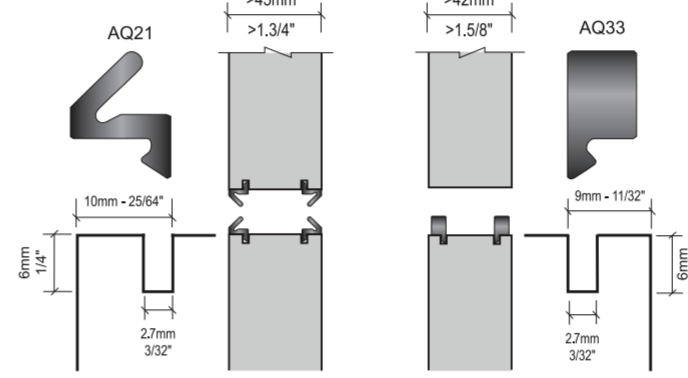
9. WALL PIVOTS



10. PERIMETER SEAL



11. PANEL SEALS

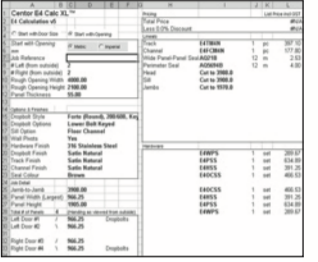


12. CALCULATING PANEL SIZE

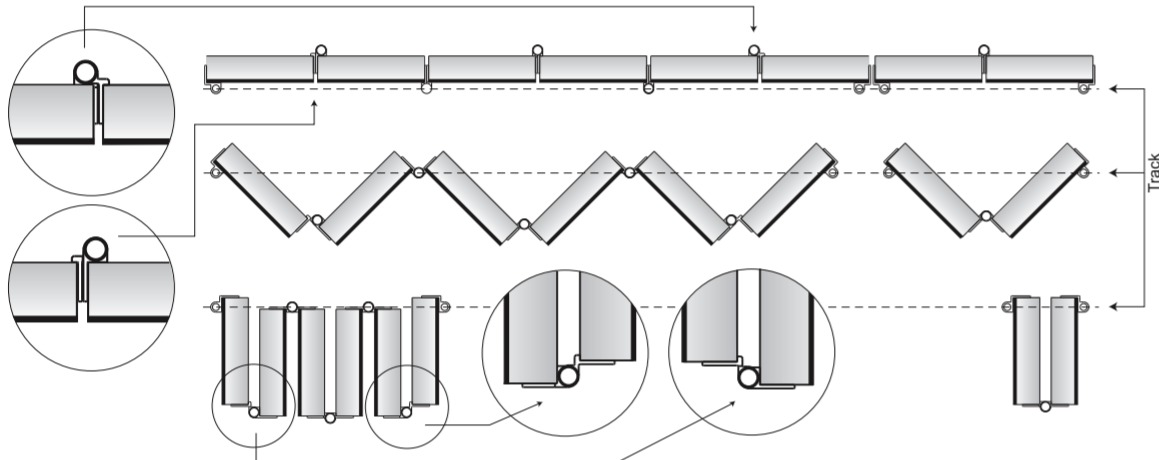
E4 Calc XL™ Spreadsheet

Centor E4 Calc XL™ is designed for the E4 folding door system. E4 Calc XL will operate on any system running Microsoft Excel 95 or later.

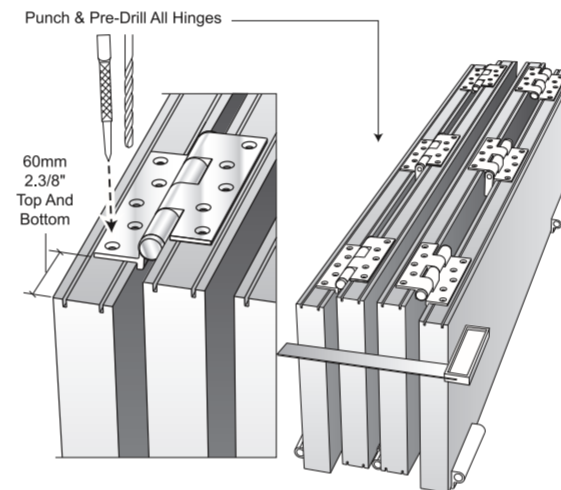
Centor Australia  
[http://www.centor.com.au/au/e4\\_calc.html](http://www.centor.com.au/au/e4_calc.html)  
Centor Europe  
[http://www.centoreurope.eu/europe/e4\\_calc.html](http://www.centoreurope.eu/europe/e4_calc.html)  
Centor North America  
[http://www.centorarchitectural.com/america/e4\\_calc.html](http://www.centorarchitectural.com/america/e4_calc.html)



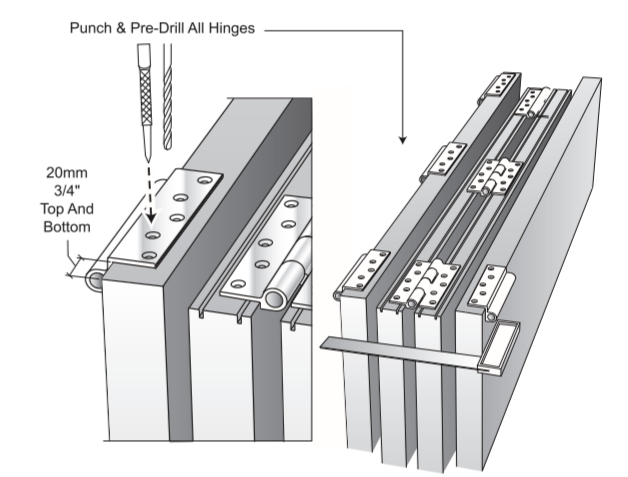
13. PANEL ORIENTATION



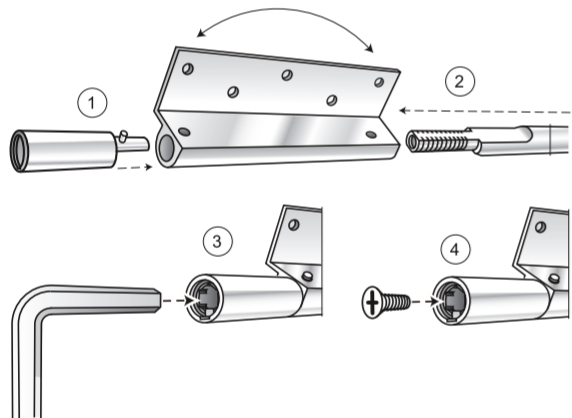
14. HINGES



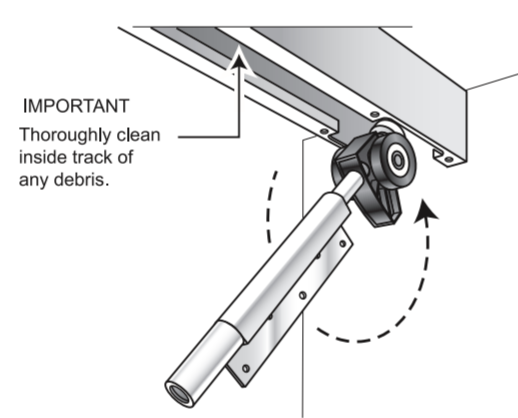
15. CARRIERS AND GUIDES



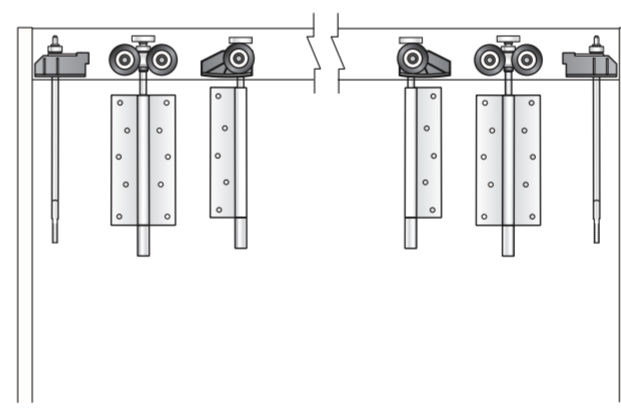
16. ASSEMBLY - REVERSIBLE



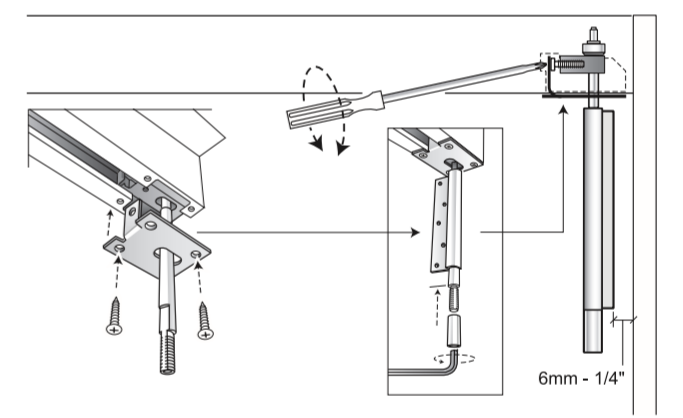
17. HARDWARE INSTALLATION



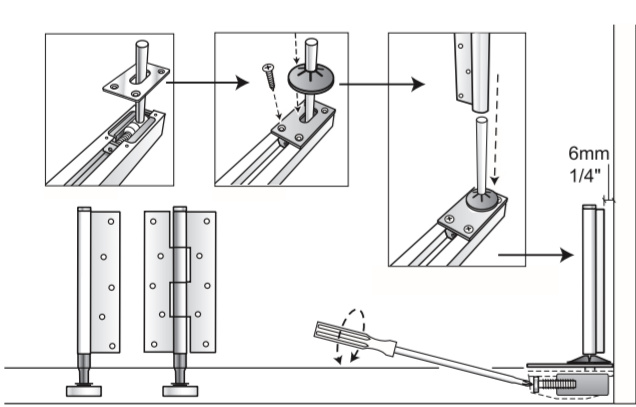
18. HARDWARE ORIENTATION



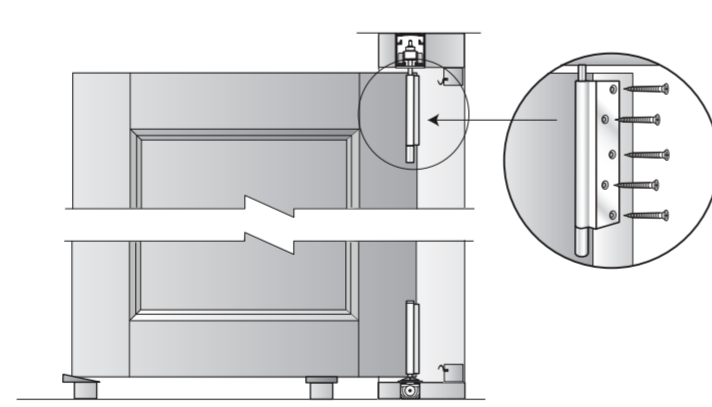
19. TOP PIVOT BLOCK



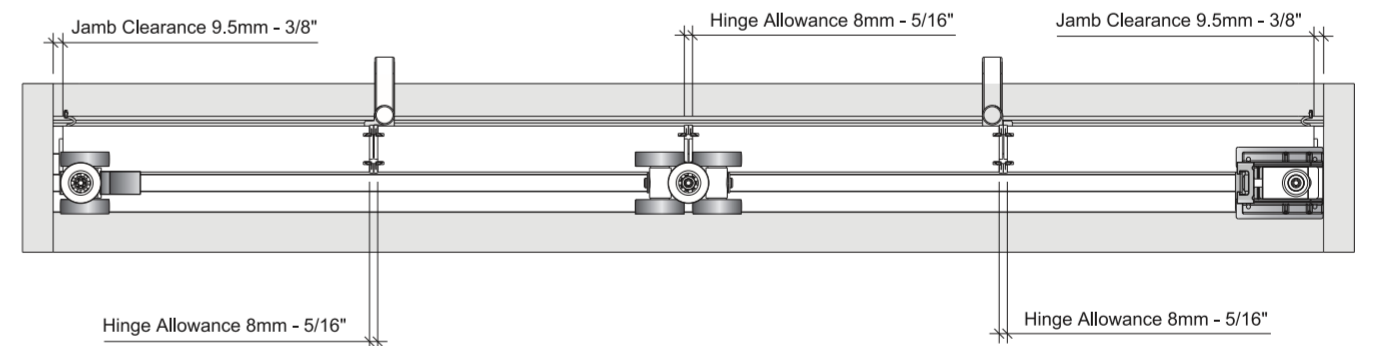
20. BOTTOM PIVOT BLOCK



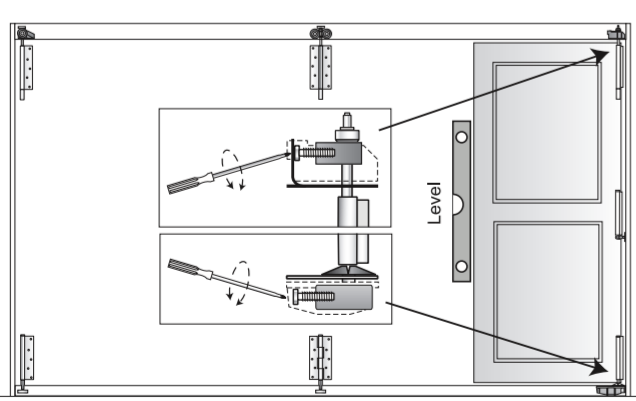
21. FITTING PIVOT PANEL



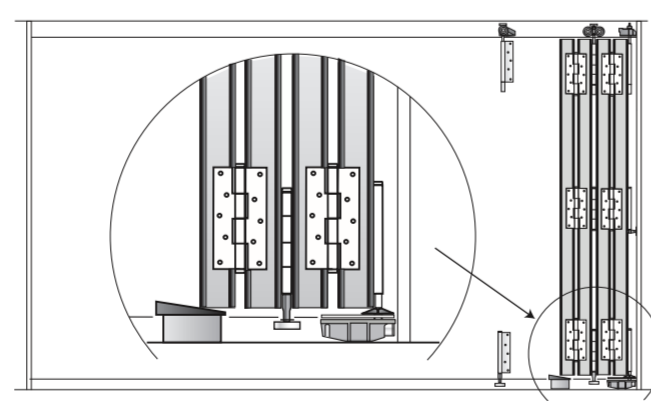
ELEVATION AND OVERVIEW



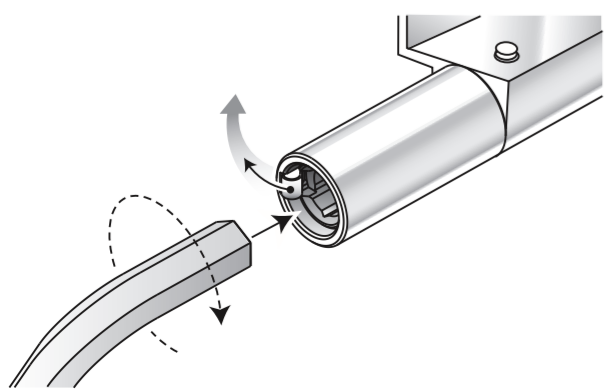
22. HORIZONTAL ADJUSTMENT



23. ADDING PANELS



24. CARRIER PIN NUT



25. FINAL ADJUSTMENT

